

WibuBox/U+



Article-No:

3 0 3 1 - 0 6 - x x x

Description

The WIBU-BOX/U+ is the WibuKey protection hardware for connection to the USB interface of PCs, Apple Macintosh and others. Encryption works with WibuKey algorithm 1, 2 or 4 depending on up to 10 nonvolatile stored Standard Entries or Master entries. The first 5 entries may have an additional entry – data, expiration date or limit counter – which then occupies one entry. The WibuBox/U+ has an additional 16 kbyte memory.

The communication is according to USB specifications. All data communication is realized by endpoint 0 control transfers with full speed (12 MBit). The USB interface guarantees trouble free communication even if many different devices are connected and easy implementation to any system. WibuKey driver software supports all major operating systems, i.e. Windows, macOS and Linux distributions supporting USB. The WIBU-BOX/U+ needs WibuKey Runtime 4.10 or higher.

Technical Specifications

- Interface: USB 1.1, USB 3.0/2.0 compatible and certified.
- Communication protocol: Mass Storage Device (MSD) or Human Interface Device (HID), HID default.
- Data retention: 10 years at @ + 25° C.
- Data endurance: > 500.000 write cycles.
- Power supply: 5VDC max.
- Power consumption: 25 mA max. (typical 5 mA / 190µA configured / unconfigured).
- Operating and storage temperature:
 - 0° C ... +55° C, non-condensing
- MTBF (Mean Time Between Failures): 28 Mio. Hours @ + 25° C (according Siemens Standard SN29500-1).
- Lifetime: 10 years typical
- Case / Dimensions: 54 mm x 16 mm x 8 mm
- Weight: 6 g
- Warranty: 36 months

Certificates

The WibuBox is tested and qualified in accordance with the following standards:

CE-Conformity | European Certificates

WibuBox is fully compliant with all applicable European regulations.

- 2014/30/EU EMC: Report Bureau Veritas File CE180718D10, 2018-08-15
 - EN55032:2015+AC:2016 Class B, IEC/CISPR 32:2015+Cor1:2016
 - EN55024:2010+A1:2015, IEC/CISPR 24:2010+AMD1:2015
 - AS/NZS CISPR32:2015, Class B
- All WibuBox units are fully compliant with EU Directives 2011/65/EU (RoHS), 2015/863/EU (RoHS amendment), SJ/T 11364-2014 (China RoHS2), 2012/19/EU (WEEE), 1907/2006/EC (REACH), 207/2011/EU (PFOS -REACH Annex XVII), 1272/2013/EU (PAH-REACH Annex XVII), and 1272/2013/EU (DINP-REACH Annex XVII).

International Certificates

- 47 CFR FCC, Part 15, Subpart B (2017), class B: Report Bureau Veritas File FD180718D10
- VCCI Class B ITE: Acceptance No. 2015049667, 2015-12-23
- KCC (South Korea): XWK-303x-06-xxx (A), 2010-07-26
- BSMI (Taiwan): D43250 RoHS
- ACMA (RCM): RCM20180091804-C, 2018-09-19
- EAC TP 037/2016: EAЭC N RU Д-DE.PA01.B.25142/20

Other Certificates

- VDE License No. 129382
- C-UL-US listed I.T.E. Accessory 10 WB, E-File 211202

This encryption device is only for use with UL Listed PCs (low power systems). It meets UL 60950-1 and CSA C22.2 No. 60950-1 Safety of Information Technology Equipment standards.

Ordering Information

- P/N 3031-06-510: WibuBox/U+ with solid turquoise blue case.

Variants with custom cases available on request.

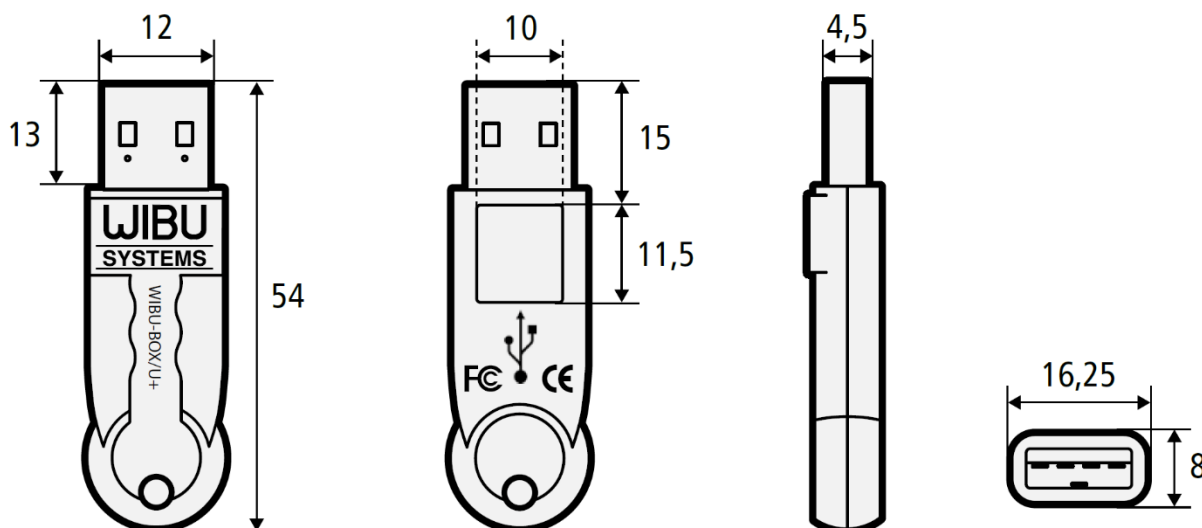
RoHS compliant
WEEE-Reg-No:
DE 90465365



방송통신위원회



Technical Drawing



All dimensions in millimeters.

Subject to change without notice.

WIBU-SYSTEMS AG
Zimmerstrasse 5
76137 Karlsruhe
Germany
Tel: +49-721-93172-0
Fax: +49-721-93172-22
info@wibu.com
www.wibu.com