

CmCard/CFast

Article-No:

1 0 4 3 - 0 2 - x x x

Description

The CmCard/CFast is the heart of the CodeMeter Digital Rights Management system as a CompactFlash card sized Solid State Drive (SSD) with SATA interface. It contains a SmartCard chip including a secure memory of about 384 kbyte available for storing thousands of licenses plus additional different sizes of flash memory which can be used as a removable drive. The basic idea of the revolutionary CodeMeter concept is that licenses can be stored for many products even from many different vendors at the same time.

License Options are: Text (description of an entry), Unit Counter (i.e. number of runs or actually run time of a license), Activation Time (the license is valid from), Expiration Time (the license is valid until), Usage Period (starts at first use), Maintenance Period (according to release date), Feature Map (up to 32 modules or versions), License Quantity (concurrent use / floating network licenses), Protected Data / Extended Protected Data (128x256 bytes read-only data), Hidden Data (128x256 bytes only readable with password; usable as secret/private key), Secret Data (128x256 bytes non-readable, only usable as secret/private key), User Data (unsecured 256 bytes), Customer Owned License Information (256 bytes).

Used algorithms: 128 bit AES, SHA-256, 2048 bit RSA, 224 bit ECC.

The used SmartCard chip contains a random number generator according to FIPS140-1 and fulfills EAL 4+ (Common Criteria certified).

Technical Specifications

- Interface: 7+17 pin (SATA+power) CFast connector
- CodeMeter license memory:
 - Data retention: >10 years at room temperature
 - Endurance: >10 million license updates, depending on the license type
- Flash memory:
 - Data retention: >10 years at room temperature
 - Endurance: 2 million program / erase cycles typical
- Power supply: 3.3V, typ 100 mA
- Temperature: -25 ... +85 degree C, non-condensing
- Case / Dimensions: 36,5 mm x 43 mm x 3,5 mm
- Weight: typ. 10g
- MTBF > 2,500,000 hours
- Data Transfer Mode: SATA Rev 2.6 - 3Gbit/s (1,5Gbit/s compatible), max. UDMA6 MDMA2, PIO4
- High Performance:
 - Up to 300MB/s burst transfer rate in SATA II - 3.0Gb/sec
 - Sustained Write: up to 120MB/s
 - Sustained Read: up to 120MB/s
- Warranty: 36 months

Certificates

The CmCard/CFast is tested and qualified with the following standards:

CE-Conformity | European Certificates

CmCard/CFast is fully compliant with all applicable European regulations. Detailed test reports will follow soon.

International Certificates

- CB Test Certificate DE1-54874 CISPR 24(ED.2), 2014-11-20
- CB Test Certificate DE1-54888 CISPR 22(ED.6), 2014-11-20
- FCC 47 CFR, Part 15, Subpart B (2013), ETC File 14-12-MAS-152-01
- VCCI Class B ITE, ETC File 14-12-MAS-152-02
- KCC will follow (South Korea)

Other Certificates

- VDE License No. 129382
- C-UL-US listed I.T.E. Accessory 10 WB, E-File 211202

The encryption device is only for use with UL Listed PCs (low power system). Meets UL 60950-1 and CSA C22.2 No. 60950-1 Safety of Information Technology Equipment.

All CmCards are fully compliant according to EC Directives 2004/108/EC (EMC), 2011/65/EC (ROHS) and 2002/96/EC (WEEE).

Ordering Information

P/N 1043-02-205:	CmCard/CFast	2GB	bulk
P/N 1043-02-206:	CmCard/CFast	4GB	bulk
P/N 1043-02-207:	CmCard/CFast	8GB	bulk
P/N 1043-02-208:	CmCard/CFast	16GB	bulk

RoHS compliant
WEEE-Reg-No:
DE 90465365



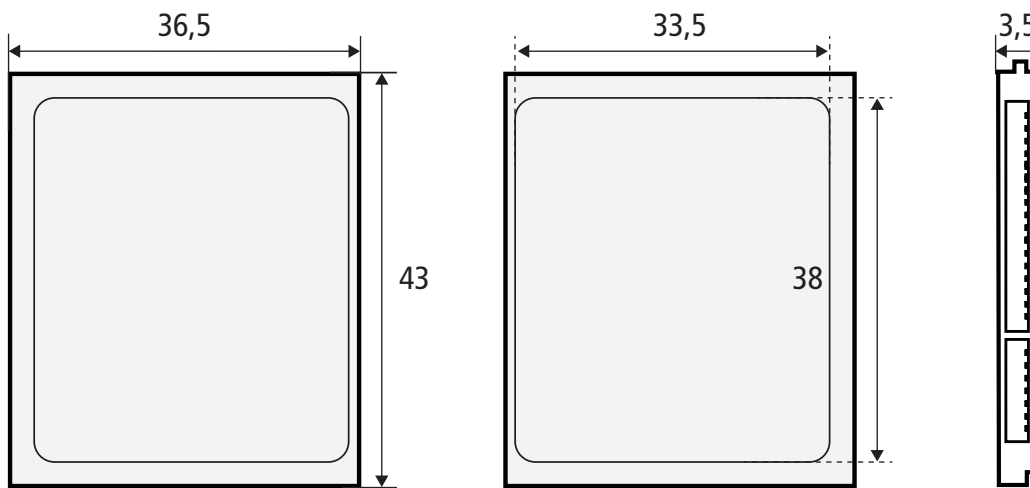
All dimensions in millimeter. Subject to change without notice.

WIBU-SYSTEMS AG
Rueppurrer Strasse 52-54
D-76137 Karlsruhe
Tel: +49-721-93172-0
Fax: +49-721-93172-22
info@wibu.com
www.wibu.com

Technical Drawing

Article-No:

1 0 4 3 - 0 2 - x x x



All dimensions in millimeter. Subject to change without notice.



WIBU-SYSTEMS AG
Rueppurrer Strasse 52-54
D-76137 Karlsruhe
Tel: +49-721-93172-0
Fax: +49-721-93172-22
info@wibu.com
www.wibu.com