

# CmStick/MI, /MC



Article-No:

1 0 1 1 - 0 3 - 2 x x

1 0 1 1 - 0 3 - 4 x x

## Description

The CmStick/MI, /MC is the heart of the CodeMeter Digital Rights Management system as USB device in a very small, noble and rugged metal case. It contains a SmartCard chip including a secure memory of about 328 kbyte available for storing thousands of licenses plus additional different sizes of flash memory which can be used as a removable drive. The basic idea of the revolutionary CodeMeter concept is that licenses can be stored for many products even from many different vendors at the same time.

License Options are: Text (description of an entry), Unit Counter (i.e. number of runs or actually run time of a license), Activation Time (the license is valid from), Expiration Time (the license is valid until), Usage Period (starts at first use), Maintenance Period (according to release date), Feature Map (up to 32 modules or versions), License Quantity (concurrent use / floating network licenses), Protected Data / Extended Protected Data (128x256 bytes read-only data), Hidden Data (128x256 bytes only readable with password; usable as secret/private key), Secret Data (128x256 bytes non-readable, only usable as secret/private key), User Data (unsecured 256 bytes), Customer Owned License Information (256 bytes).

Used algorithms: 128 bit AES, SHA-256, 2048 bit RSA, 224 bit ECC.

The used SmartCard chip contains a random number generator and fulfills EAL 5+ (Common Criteria certified).

The CmStick/MI, /MC has a green and a red LED. The CodeMeter communication is using HID (with CmRuntime 5.20 or newer) or mass storage communication (MSC, identical to CmStick/M 1011-02-13x).

## Technical Specifications

The CodeMeter technology is covered by US 7.145.297 and other patents.

- Interface: Hi-Speed USB 2.0 certified, Mass Storage Communication (MSC) or Human Interface Device (HID), HID default
- CodeMeter License memory:
  - Data retention: 10 years at room temperature
  - Data endurance:
    - Unit Counter: up to 500 million decrements
    - Other license parameter: up to 10 million updates to one license
- CmStick/MI (industrial) SLC-Flash memory version:
  - Data retention: 10 years at room temperature
  - Data endurance:
    - 100.000 write cycles guaranteed (typ. 1 million)
  - Performance: up to 18 MByte/s write, 22 Mbyte/s read
  - Extended temperature range on request
- CmStick/MC (commercial) MLC-Flash memory version:

- Data retention: > 1year at 2,5TBW@85°C (TeraByteWritten)
- Data retention: > 3year at 250GBW@85°C (GigaByteWritten)
- Performance: up to 28 MByte/s write, 38 Mbyte/s read
- Power supply: 5 V bus-powered, < 100 mA
- Temperature: 0 °C ... + 70 °C, non-condensing
- MTBF (Mean Time Between Failures): > 3 Million hours
- Case/Dimensions: Noble metal case, 8 mm x 16 mm x 61,5 mm (without cap 56 mm)
- Cap/Dimensions: 7 mm x 16 mm x 18 mm
- Weight: CmStick 24 g (without cap 19 g)
- Warranty: 36 months

## Certificates

The CmStick/MI /MC is tested and qualified with the following standards:

### CE-Conformity | European Certificates

CmStick/MI, /MC is fully compliant with all applicable European regulations.

- EMC Report VDE File 2387800-3250-0003/200090, 2014-09-15:
  - EN55022:2010, IEC/CISPR 22:2008 modified
  - EN55024:2010, IEC/CISPR 24:2010
  - EN 55032:2012, AS/NZS CISPR22:2009 + A1:2010

### International Certificates

- CB Test Certificate DE1-54874 CISPR 24(ED.2), 2014-11-20
- CB Test Certificate DE1-54888 CISPR 22(ED.6), 2014-11-20
- FCC 47 CFR, Part 15, Subpart B (2013), ETC File 14-12-MAS-151-01
- VCCI Class B ITE, ETC File 14-12-MAS-151-02
- KCC (South Korea): MSIP-REM-XWK-1011-03-XYZ, 2016-02-05

### Other Certificates

- VDE License No. 129382
- C-UL-US listed I.T.E. Accessory 10 WB, E-File 211202

The encryption device is only for use with UL Listed PCs (low power system). Meets UL 60950-1 and CSA C22.2 No. 60950-1 Safety of Information Technology Equipment.

All CmStick/M are fully compliant according to EC Directives 2011/65/EC (RoHS), PFOS 1907/2006/EC § 33 (REACH, SVHC), SJ/T 11363-2006 (China RoHS) and 2002/96/EC (WEEE), VDE Test Report 214205-EC3-3 dated 2016-02-16

## Ordering Information

P/N 1011-03-235: CmStick/MI 2GB SLC-Flash bulk  
 P/N 1011-03-431: CmStick/MC 8GB MLC-Flash bulk  
 P/N 1011-03-433: CmStick/MC 32GB MLC-Flash bulk  
 Other memory variants, individual cases or laser engraving on request.

RoHS compliant  
 WEEE-Reg-No:  
 DE 90465365



All dimensions in millimeter. Subject to change without notice.

WIBU-SYSTEMS AG  
 Rueppurrer Strasse 52-54  
 D-76137 Karlsruhe  
 Tel: +49-721-93172-0  
 Fax: +49-721-93172-22  
 info@wibu.com  
 www.wibu.com

# Technical Drawing

Article-No:

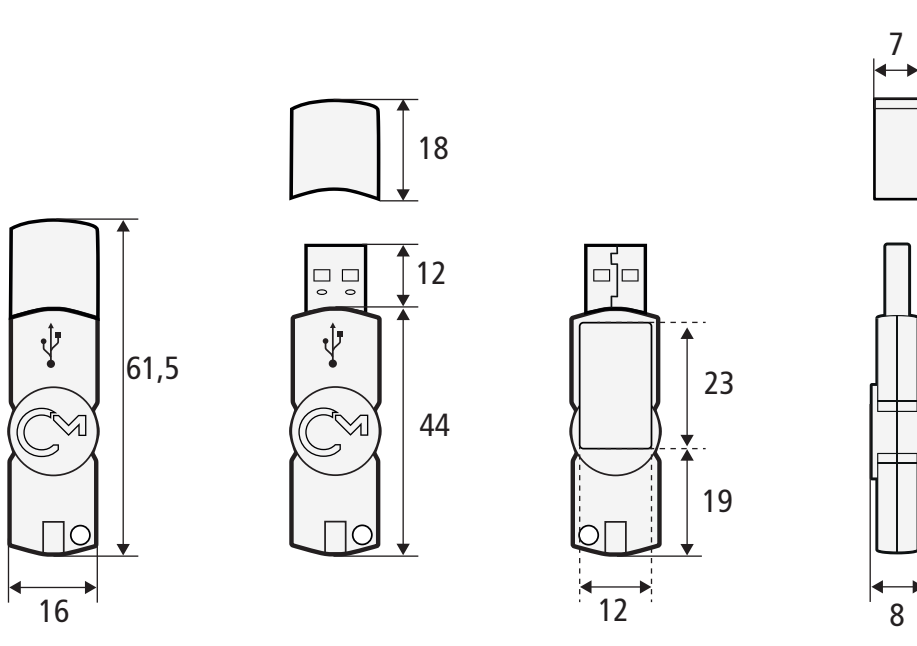
1 0 1 1 - 0 3 - 2 x x

1 0 1 1 - 0 3 - 4 x x

RoHS compliant

WEEE-Reg-No:

DE 90465365



All dimensions in millimeter. Subject to change without notice.

WIBU-SYSTEMS AG  
Rueppurrer Strasse 52-54  
D-76137 Karlsruhe  
Tel: +49-721-93172-0  
Fax: +49-721-93172-22  
info@wibu.com  
www.wibu.com